

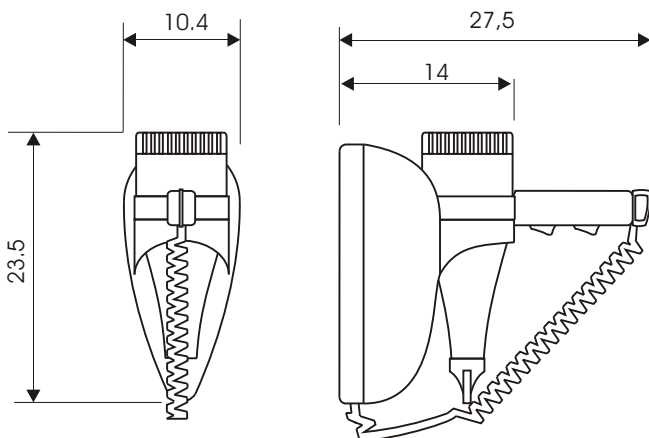


Cod. 190 I
Cod. 190 I /1600

Wall mounted hair dryer

- Professional Motor
- On / Off security switch
- Slide switch:
2 speeds
3 temperatures
- Equipped with a switch to cut off electric power during cleaning operations
- Spiraled cable reinforced
- Supplied with alimentation cable, detachable for eventual connection direct to electrical mains that comes out from the wall

Dimensions



Measure unit: cm

Technical Sheet

Functioning	On/Off pushing switch
Material	UV resistant ABS Nylon Uninflammable
Temperatures	3
Speeds	2
Voltage	220/240 V
Frequency	50/60 Hz
Power 190 I	1.400 W
Power 190 I /1600	1.600 W
Air Flow	96 m ³ /h
Noise level	60 dB
Liquid protection degree	IPX0
Electric protection degree	Class II
Wall installation	By furnished plug or Direct on the wall
Quality Mark 190; 190 D; 190 RBD 190 D/1600; 190 RBD/1600	CE
190 I; 190 I/1600;	190 IRB 190 IRB/1600
	CE